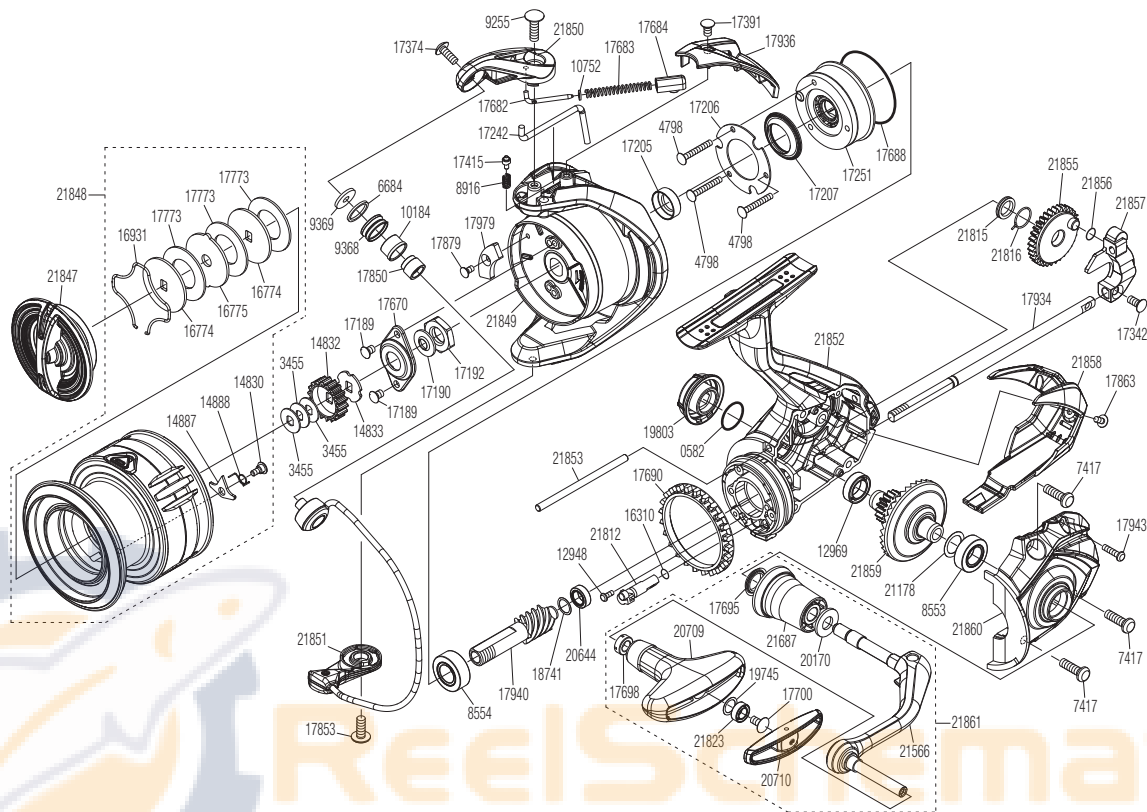


SHIMANO

NASCI

NS-4000



Please note that the number of adjusting washers may not always be the same as shown in the exploded views.

(51SF45H040X)

Please note that your actions take full responsibility when you take it apart.

Part No.	Description	Part No.	Description	Part No.	Description
RD 0582	O Ring	RD17251	Roller Clutch Assembly	RD21178	Washer
RD 3455	Spool Washer	RD17342	Screw	RD21566	Handle Shank Assembly
RD 4798	Screw	RD17374	Screw	RD21687	Handle Shaft Cover Assembly
RD 6684	Spacer	RD17391	Screw	RD21812	Anti Reverse Cam
RD 7417	Screw	RD17415	Click Pin	RD21815	Bushing
RD 8553	Ball Bearing	RD17670	Rotor Nut Lock Plate	RD21816	Bushing Spring
RD 8554	Ball Bearing	RD17682	Bail Spring Guide A	RD21823	Ball Bearing
RD 8916	Click Spring	RD17683	Bail Spring	RD21847	Drag Knob Assembly
RD 9255	Screw	RD17684	Bail Spring Guide B	RD21848	Spool Assembly
RD 9368	Line Roller	RD17688	O Ring	RD21849	Rotor
RD 9369	Washer	RD17690	Friction Ring	RD21850	Bail Arm
RD10184	Bushing	RD17695	Handle Shaft Seal	RD21851	Bail Assembly
RD10752	Bail Spring Guide A Collar	RD17698	Bushing	RD21852	Body Assembly
RD12948	Screw	RD17700	Screw	RD21853	Oscillating Guide
RD12969	Ball Bearing	RD17773	Drag Washer	RD21855	Oscillating Gear
RD14830	Screw	RD17850	Collar	RD21856	O Ring
RD14832	Spool Support A	RD17853	Screw	RD21857	Oscillating Slider
RD14833	Spool Support B	RD17863	Screw	RD21858	Rear Protector
RD14887	Drag Click	RD17879	Screw	RD21859	Drive Gear
RD14888	Drag Click Spring	RD17934	Main Shaft	RD21860	Side Cover
RD16310	O Ring	RD17936	Bail Spring Cover	RD21861	Handle Assembly
RD16774	Key Washer	RD17940	Pinion Gear		
RD16775	Eared Washer	RD17943	Screw		
RD16931	Retainer	RD17979	Counter Weight		
RD17189	Screw	RD18741	Washer		
RD17190	Bearing Water Proof	RD19745	Washer		
RD17192	Rotor Nut	RD19803	Handle Screw Cap		
RD17205	Rotor Ring	RD20170	Washer		
RD17206	Roller Clutch Reinforce	RD20644	Ball Bearing		
RD17207	Roller Clutch Water Proof	RD20709	Handle Knob		
RD17242	Bail Trip Lever	RD20710	Handle Knob Seal		